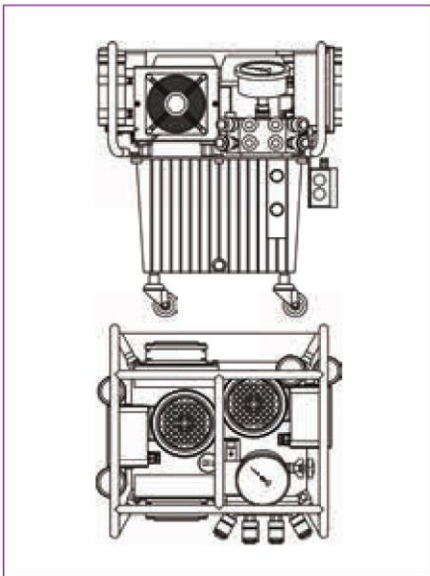


HY-TWIN 230

This high-powered, twin-motor, 3-stage pump provides twice the speed and oil flow of any other available system. Ideal for large hydraulic or multi-tool systems, the HY-TWIN 230 delivers high power for large torque wrenches (10,000 ft.-lbs. and up) without compromising speed. The five-gallon reservoir provides enough oil to power up to four large tools at once, and the built-in casters allow for increased mobility.



PUMP SPECIFICATIONS AND FEATURES

Power	230v (30 Amp) 115V: 1Ph 90-125 / 60Hz 230V: 1Ph 200-230V / 50+60Hz 400V: 3Ph 400-460
Gauge	0-10 k PSI (+/-1% Accuracy)
Reservoir Capacity (Tank optional)	5 gals. / 19 l
Stages	3
Weight	112 lbs. / 51 kg
Maximum Oil Flow Rate	1,480 cu. in./min. / 24 l/min.
Oil Cooler	Yes
Protective Caging	Yes
15' Remote Control	Yes



HYTORC MISSION STATEMENT

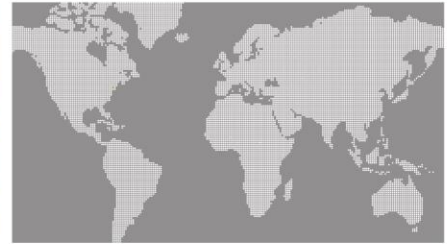
HYTORC'S MISSION IS TO OPTIMIZE SAFETY, QUALITY AND SCHEDULE IN INDUSTRIAL BOLTING THROUGH INNOVATIVE SOLUTIONS, AND AN UNYIELDING COMMITMENT TO WORLD-CLASS CUSTOMER SERVICE.

MOBILE SERVICES



Mobile service, maintenance, and on-site training to get you and your tools back on the job faster than ever before.

WORLDWIDE SERVICE



The HYTORC Universe is made up of over 1,000 trained bolting specialists to support your bolting needs in over 100 countries.

THE HYTORC STANDARD



With over 50 years of experience focused entirely on developing the highest quality industrial bolting systems, HYTORC remains committed to higher performance and service and offers superior technology, quality, and support.

The World's Most Trusted Industrial Bolting Systems

HYTORC owns all content, copyrights, trademarks and patents in this document. © 2022 HYTORC. Any unauthorized use or distribution of any material from this document is strictly prohibited.

HYTORC
-----TEXAS-----

Office: 12420 TEXACO RD.
HOUSTON, TX 77013

Email: sales@hytorctexas.com

Phone: 713-453-6677

Domain: hytorctexas.com