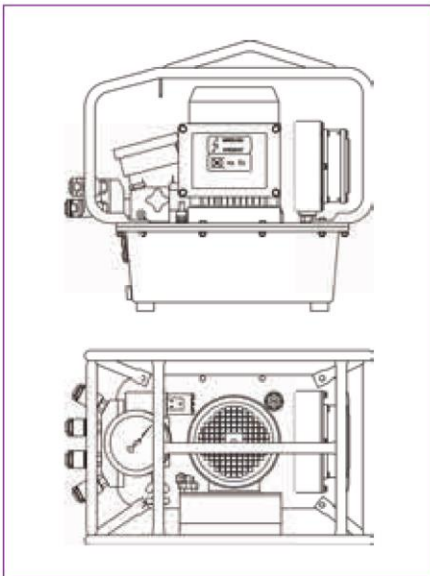


JETPRO 18.3 SA

The JETPRO 18.3 SA is our high-performing pump, designed to work efficiently with our largest hydraulic systems. Its 3-stage motor provides 30% more oil flow without increased operating temperature through the use of an innovative built-in oil cooling system. A compact design with a two-gallon reservoir alleviates weight restrictions and offers the operator efficient mobility.



PUMP SPECIFICATIONS AND FEATURES

Power	380v - 460v (6 Amp)
Gauge	0-10 k PSI (+/-1% Accuracy)
Reservoir Capacity	2 gals. / 7.5 l
Stages	3
Weight	64 lbs. / 29 kg
Maximum Oil Flow Rate	1,070 cu. in./min. / 18 l/min.
Oil Cooler	Yes
Protective Caging	Yes
15' Remote Control	Yes



HYTORC MISSION STATEMENT

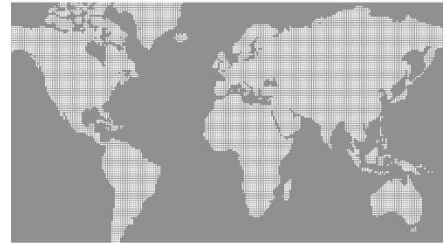
HYTORC'S MISSION IS TO OPTIMIZE SAFETY, QUALITY AND SCHEDULE IN INDUSTRIAL BOLTING THROUGH INNOVATIVE SOLUTIONS, AND AN UNYIELDING COMMITMENT TO WORLD-CLASS CUSTOMER SERVICE.

MOBILE SERVICES



Mobile service, maintenance, and on-site training to get you and your tools back on the job faster than ever before.

WORLDWIDE SERVICE



The HYTORC Universe is made up of over 1,000 trained bolting specialists to support your bolting needs in over 100 countries.

THE HYTORC STANDARD



With over 50 years of experience focused entirely on developing the highest quality industrial bolting systems, HYTORC remains committed to higher performance and service and offers superior technology, quality, and support.

The World's Most Trusted Industrial Bolting Systems

HYTORC owns all content, copyrights, trademarks and patents in this document. © 2022 HYTORC. Any unauthorized use or distribution of any material from this document is strictly prohibited.

HYTORC
-----TEXAS-----

Office: 12420 TEXACO RD.
HOUSTON, TX 77013

Email: sales@hytorctexas.com

Phone: 713-453-6677

Domain: hytorctexas.com